



EQUFLOW[®]
Sensors

Fixed PFA Turbine flowmeter

The PFA flow sensor of Equiflow has low flow sensing capabilities in a wide range of applications, and is suitable for clear-, opaque, neutral, corrosive and aggressive liquids including fuel. An ultra light-weight turbine rotor follows the fluctuation of flow very accurately and generates a high resolution IR reflected digital output signal. In either flow controlled or monitoring applications, the PFA flow sensor can measure flow rates and totalize.



Patent US5388466

Characteristics:

Turbine flow sensor with high resolution output
 Flow Measuring by revolutionary IR turbine rotor reflection
 PFA / Teflon for high chemical and corrosive resistance
 High accuracy and repeatability ("swiss made")
 Suitable for opaque liquids
 PFA meet all the requirements of the US Pharmacopeia Class VI
 BSE/TSE certificate available
 All wetted parts are made of Teflon®PFA with ruby bearing

Options:

Programmable K-factor
 Flow Alarm level
 Batchfunction with preset

Model	0045	0085	0125
Inner diameter in mm	4,5	8,5	12,5
Flow range	0,06 - 2 L/min	0,5 - 20 L/min	1,5 - 40 L/min
Accuracy	1% of reading	1% of reading	1% of reading
Repeatability	< 0,15 %	< 0,15 %	< 0,15 %
Wetted parts	PFA / Ruby	PFA / Ruby	PFA / Ruby
Tube connection thread/hosebarb	1/8" NPT / 7 mm	1/4" NPT / 12 mm	1/2" NPT-BSP / -
Tube length in mm	52	60	72
Liquid temperature in °C	-20 tot +80	-20 tot +80	-20 tot +80
Max. pressure at 20°C in MPa	2 (20 Bar)	1,5 (15 Bar)	1 (10 Bar)
Viscosity in cSt.	0,8 - 10	0,8 - 10	0,8 - 10
Resolution in microL/puls	9	164	500
K factor (water) in pulse/Litre	110.000	6.100	2.000
Power supply	5 - 30 Vdc	5 - 30 Vdc	5 - 30 Vdc
Output signal	5 - 30 V sq. wave	5 - 30 V sq. wave	5 - 30 V sq. wave
Power consumption	34 mA at 5 V	34 mA at 5 V	34 mA at 5 V
Electrical cable length	PVC 1 meter	PVC 1 meter	PVC 1 meter
Other Specs on request			

Technical specifications and mounting description PFA Fixed and Disposable models

Equlflow Turbine Flowmeters

Proces specifications	PFA models		
	0045	0085	0125
Flowrange L/min	0.06 - 2.0	0.5 - 20.0	1.5 - 40.0
Accuracy	1%		
Repeatability	0.15%		
Wetted Parts	PFA-340 with ruby bearing		
Proces connections	½" NPT or 7 mm barb	¼" NPT or 12 mm barb	½" NPT / BSP
Max Liquid temperature °C / F	80 / 176		
Max pressure Bar / Psig	20 / 284	15 / 213	10 / 142
Viscosity in cSt	0,8 - 10		
Impuls /ltr (water 20 °C)	110.000	6100	2000
Filter µm	100	100	150
Sealing material	-		

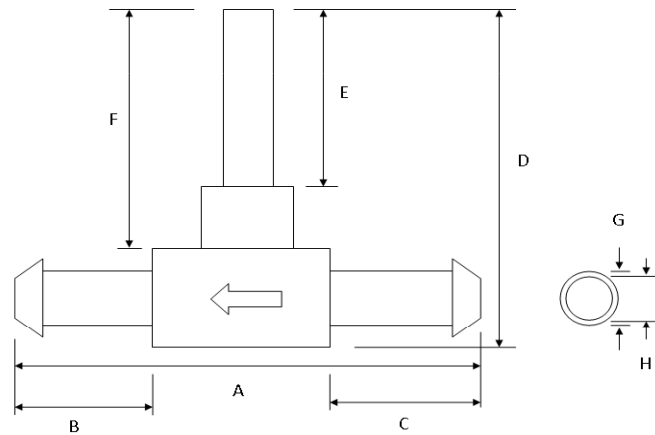
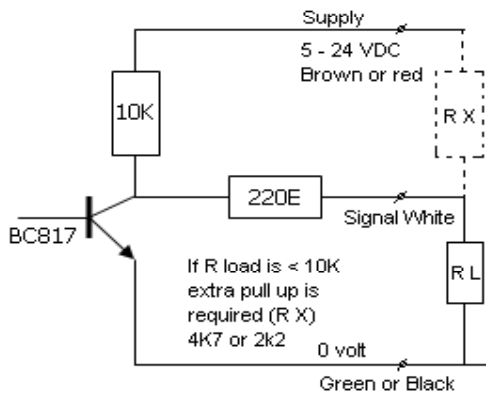


Recommendations before use:

- Check flow direction (arrow on sensor)
- Install a suitable filter in front of the sensor (see table)
- De-aerate the system with gentle pressure before starting the system
- Check for leakage after system start
- Never clean the sensor with compressed Air
- Check chemical resistance wetted parts

Electrical specifications and connections

Power supply 5 - 30 Vdc or 5 Vdc (Low Voltage only)
Output All sensors: NPN square wave



Dimensions in mm	0045.T.H Hose Barbs	0045.T.N NPT	0085.T.H Hose Barbs	0085.T.N NPT	0125.T.B NPT - BSP
A	50.8	51.5	60.3	60.3	71.5
B	14.7	15.8	19.4	19.2	22.3
C	16.6	15.8	19.1	19.2	26.3
D	60.6	60.6	66.8	66.8	71.2
E	36.7	36.7	36.7	36.7	36.7
F	46.5	46.5	44.4	44.4	45.6
G	7.8	9.8	13.3	13.2	14.0
H	4.6	4.7	9.0	9.0	20.3